

Grandstream Networks, Inc.

HA100

High Availability Kit for UCM6510

User Manual



Table of Contents

CHANGELOG	4
Firmware Version 1.0.0.1	4
INTRODUCTION	7
PRODUCT OVERVIEW	8
Feature Highlights.....	8
HA100 Technical Specifications.....	8
INSTALLATION	10
HA100 Interfaces	10
<i>HA100 Back Panel</i>	10
<i>HA100 Front Panel</i>	10
<i>RS-485 Interface</i>	11
LED Indicators	11
HA100 CONNECTION	12
Powering and Connecting HA100.....	12
Connecting HA100 with 2x UCM6510s	13
<i>Setup Requirements</i>	13
<i>UCM6510 and HA100 Connection</i>	13
<i>HA100 Deployment Methods</i>	15
Method 1: Backup and Restore Configuration	15
Method 2: Sync Configuration.....	15
HA100 CONFIGURATION SETTINGS ON THE UCM6510	16
HA100 FUNCTIONALITY	17
UCM6510 Failure Management.....	18
HA100 Failure Management.....	18
EXPERIENCING HA100	19



Table of Tables

Table 1: HA100 Features at a Glance	8
Table 2: HA100 Technical Specifications	8

Table of Figures

Figure 1: High Availability.....	7
Figure 2: HA100 Package Contents	9
Figure 3: HA100 Back Panel.....	10
Figure 4: HA100 Front Panel	11
Figure 5: RS485 Ports on the HA100	11
Figure 6: HA100 LEDs	11
Figure 7: Basic Connection Setup of the HA100	12
Figure 8: HA100 Connection with UCM A and UCM B	14
Figure 9: HA Settings on the UCM6510.....	16
Figure 10: HA100 Functionality.....	17



CHANGELOG

This section documents significant changes from previous firmware versions. Only major new features or major document updates are listed here. Minor updates for corrections or editing are not documented here.

Firmware Version 1.0.0.1

- This is the initial version for HA100.



COPYRIGHT

©2017 Grandstream Networks, Inc. <http://www.grandstream.com>

All rights reserved. Information in this document is subject to change without notice. Reproduction or transmittal of the entire or any part, in any form or by any means, electronic or print, for any purpose without the express written permission of Grandstream Networks, Inc. is not permitted.

The latest electronic version of this user manual is available for download here:

<http://www.grandstream.com/support>

Grandstream is a registered trademark and Grandstream logo is trademark of Grandstream Networks, Inc. in the United States, Europe and other countries.

CAUTION

Changes or modifications to this product not expressly approved by Grandstream, or operation of this product in any way other than as detailed by this User Manual, could void your manufacturer warranty.

WARNING

Please do not use a different power adaptor with your devices as it may cause damage to the products and void the manufacturer warranty.



GNU GPL INFORMATION

HA100 firmware contains third-party software licensed under the GNU General Public License (GPL). Grandstream uses software under the specific terms of the GPL. Please see the GNU General Public License (GPL) for the exact terms and conditions of the license.

Grandstream GNU GPL related source code can be downloaded from Grandstream web site from:
<http://www.grandstream.com/support/faq/gnu-general-public-license/gnu-gpl-information-download>



INTRODUCTION

Thank you for using Grandstream HA100. To meet the requirements of our customers, Grandstream has released the HA100, a module designed to implement the High Availability failover feature for our enterprise grade IP-PBX UCM6510.

It contains a set of external ports and splits each of them into two internal ports: Port A and Port B. The ports on the UCM6510 A and UCM6510 B should be connected to each Port A and Port B respectively. The external ports on the HA100 provide PBX service.

Powered by an advanced hardware platform and revolutionary software functionalities, the connection between the UCM6510 and HA100 offers a breakthrough turnkey solution for converged voice, video, data, fax, security surveillance, and mobility applications out of the box without any extra license fees or recurring costs.




Figure 1: High Availability

PRODUCT OVERVIEW

Feature Highlights

The following list contain the major features of the HA100:

Table 1: HA100 Features at a Glance

 <p>HA100</p>	<ul style="list-style-type: none"> • Designed to provide a failover solution for the UCM6510. • Connect two UCM6510s to the HA100 to create a back-up solution and automatically switch to a secondary UCM6510 if the main one fails. • An ideal complimentary connector to the UCM6510 for businesses that need a reliable UC system without any interruptions or failures. • Up to 14 LED indicators that can be controlled by GPIO ports.
---	--

HA100 Technical Specifications

Table 2: HA100 Technical Specifications

Back Panel Interface	
Analog Telephone FXS Ports	2 ports
PSTN Line FXO Ports	2 ports
T1/E1 Interface	1 port
Network Interfaces	1 LAN/ 1 WAN
RS-485	2, 1 for Primary UCM6510 and 1 for Secondary UCM6510
Reset Switch	Yes
Universal Power Supply	DC 12V.
Front Panel Interface	
Analog Telephone FXS Ports	4, 2 FXS A / 2 FXS B
PSTN Line FXO Ports	4, 2 FXO A / 2 FXO B
T1/E1 Interface	2 ports, T1/E1 A, T1/E1 B
Network Interfaces	2 LAN/ 2 WAN
LED Indicators	Power, T1/E1, FXS, FXO, LAN, WAN

Equipment Packaging

The following items are included in the HA100 packaging:



1x HA100



1x Power Adapter



1x Quick Installation Guide



2x USB-to-RS485 Cable

Figure 2: HA100 Package Contents

Note: Check for all items above before installation. If anything is missing, contact your reseller/distributor.

INSTALLATION

Before deploying and configuring the HA100, the unit needs to be properly powered up and connected. This section describes detailed information about the HA100 interfaces and the steps needed for setting up the HA100.

HA100 Interfaces

The HA100 device has 24 ports, 1 reset button and 1 ground interface.

The 24 ports include 7 pairs of internal ports, 7 external ports, 2 RS485 ports and 1 power port.

HA100 Back Panel

The following image illustrates the back panel of the HA100 containing the external ports:

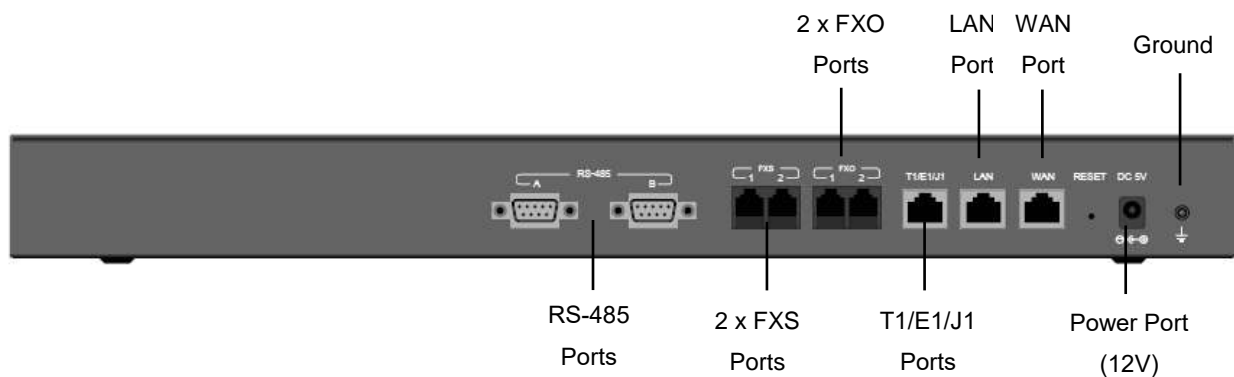


Figure 3: HA100 Back Panel

The back panel contains the following ports:

- 2 FXS ports.
- 2 FXO ports.
- 1 WAN port.
- 1 LAN port.
- 1 T1/E1/J1 port.
- 2 RS-485 ports.

HA100 Front Panel

The following image illustrates the front panel of the HA100 containing the internal ports:

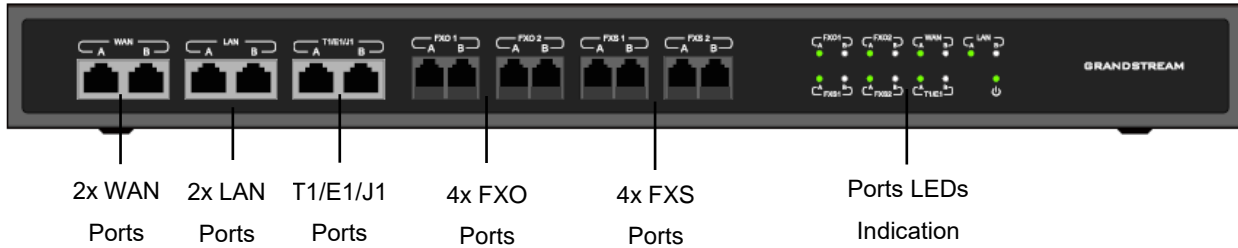


Figure 4: HA100 Front Panel

The front panel has the following ports:

- 1 pair of internal WAN ports (WAN-A, WAN-B)
- 1 pair of LAN ports (LAN-A, LAN-B)
- 1 pair of T1/E1/J1 ports (T1/E1/J1-A, T1/E1/J1-B)
- 2 pairs of internal FXS ports (FXS 1-A, FXS 1-B, FXS 2-A, FXS 2-B)
- 2 pairs of internal FXO ports (FXO 1-A, FXO 1-B, FXO 2-A, FXO 2-B)

RS-485 Interface

The HA100 has 2 RS485 ports on its back panel as displayed on the following image for defining and transmitting the electrical characteristics of drivers and receivers when using a serial communication.

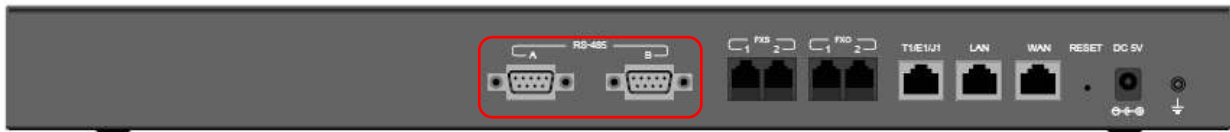


Figure 5: RS485 Ports on the HA100

LED Indicators

There are total of 15 LED lights on HA100, including 1 power indicator and 7 pairs of internal port indicators.

- **Power indicator:**

Solid green once HA100 is powered on.

- **Internal port indicator:**

Each internal A and B port has a corresponding LED indicator. The LED indicator will be solid green when the internal port is connected to the UCM. For each pair of A/B ports, only 1 LED indicator will be solid green at one time.

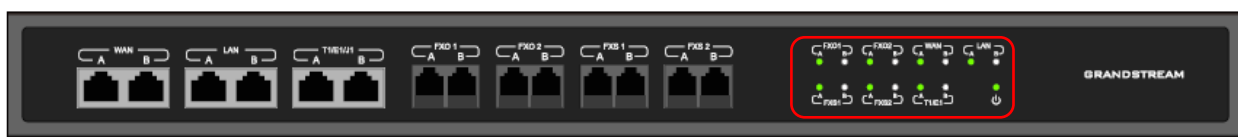


Figure 6: HA100 LEDs

HA100 CONNECTION

This section provides the connection types and steps needed for connecting the HA100 with 2 UCM6510s'.

Powering and Connecting HA100

The external connections are used for the following purposes:

- Powering up the HA100
- Network connection
- PSTN lines connection
- Analog/Fax connection
- Digital (T1/E1/J1) connections.

Please refer to the following steps for basic connection setup of the HA100:

1. Connect one end of an Ethernet cable to the WAN port of the HA100 and the other end of the cable to the uplink of a hub or switch.
2. Connect 12V power adapter to the 12V power port on HA100 and the other end to a power outlet.



Figure 7: Basic Connection Setup of the HA100

Optional Connections

Please refer to the following steps for optional connections on the HA100:

1. **For PSTN connection:** Connect a PSTN cable to the FXO external port on HA100.
2. **For Analog phone/Fax connection:** Connect analog phone or FAX machine to the FXS external port on HA100.
3. **For T1/E1/J1 connection:** Connect your digital connection cable from the service provider side to the T1/E1/J1 external port on HA100.

4. **For LAN connection:** Connect one end of the Ethernet cable to the LAN external port on HA100 and the other end to switch, hub or etc.

Connecting HA100 with 2x UCM6510s

In the connection between HA100 and 2x UCM6510s, one UCM6510 will function as the primary server and provide online services. The other UCM6510 will function as a backup server and will not provide services until the primary server is down.

Setup Requirements

The internal connection setup will require the following items:

- 5x RJ45 cables (Ethernet).
- 2x RJ48 cables (If using T1/E1/J1 trunk).
- 8x RJ11 cables (If using PSTN trunks and/or analog devices).
- 2x USB-to-RS485 serial cables.
- 2x UCM6510 (UCM A and UCM B) using firmware 1.0.15.13 or higher.

UCM6510 and HA100 Connection

Please refer to followings steps for the basic internal connections between HA100, UCM A(Master) and UCM B(Slave):

1. Connect respectively UCM A's Line port (FXO), Phone port (FXS), E1/T1/J1 port, WAN port and LAN port to HA100's FXO-A port, FXS-A port, E1/T1/J1-A port, WAN-A port, and LAN-A port.
2. Use the USB-to-RS485 serial cable to connect UCM A's USB port to the RS485-A port on HA100.
3. Connect respectively UCM B's Line port (FXO), Phone port (FXS), E1/T1/J1 port, WAN port and LAN port to HA100's FXO-B port, FXS-B port, E1/T1/J1-B port, WAN-B port, and LAN-B port.
4. Use the USB-to-RS485 serial cable to connect UCM B's USB port to the RS485-B port on HA100.
5. Use Ethernet cable to connect the Heartbeat ports on Primary UCM A and Backup UCM B.

Note: Since the UCM6510 has only one USB port, users are recommended to use a USB hub if they want to use an external USB storage device along with the HA100 module.

The following diagram illustrates the connection between the HA100 and 2x UCM6510 PBXs.



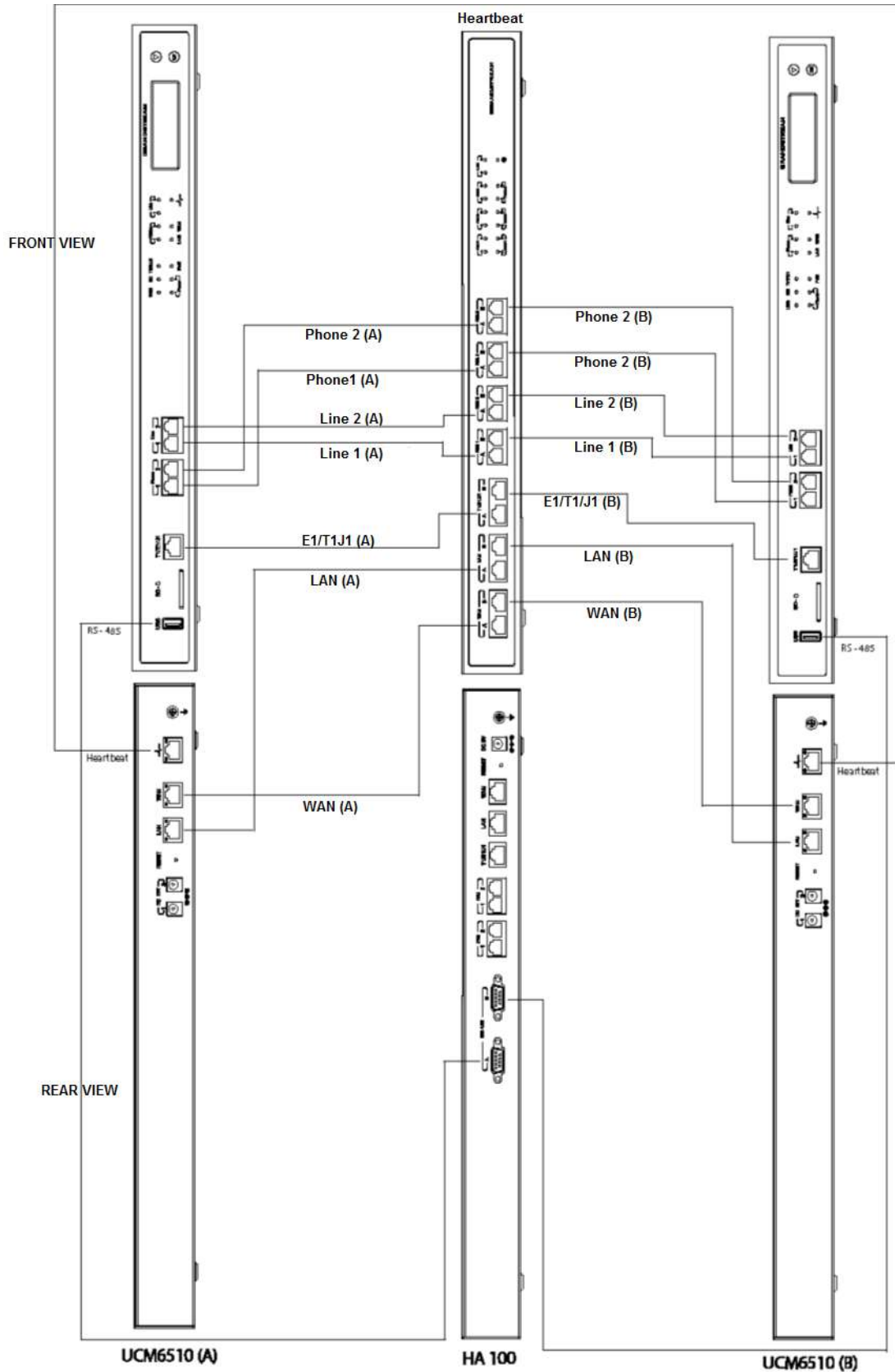


Figure 8: HA100 Connection with UCM A and UCM B

HA100 Deployment Methods

There are two deployment methods for adding an HA100 and a secondary UCM6510 to an existing UCM6510 setup:

Method 1: Backup and Restore Configuration

- **Step 1:** Upgrade UCM A to firmware version 1.0.15.13 or higher, and create a full backup (backup_A).
- **Step 2:** Upgrade UCM B to the same firmware as UCM A, and "backup_A" to UCM B. UCM A and UCM B should now have same configuration and data.
- **Step 3:** Connect all the cables as described in **[UCM6510 and HA100 Connection]** section "HA100 Connection". Make sure all ports A in HA100 are connected to UCM A, and all ports B are connected to UCM B.
- **Step 4:** Make sure UCM A, UCM B and HA100 are up and running. Access UCM_A's web UI, enable HA under *System Settings*→*HA*.
- **Step 5:** Save and apply changes before rebooting.

Method 2: Sync Configuration

- **Step 1:** Upgrade UCM A to firmware version 1.0.15.13 or higher, then make a full backup (backup_A).
- **Step 2:** Upgrade UCM B to same firmware as UCM A.
- **Step 3:** Setup the connections as described in the **[UCM6510 and HA100 Connection]**, EXCEPT heartbeat connection between UCM A and UCM B.
- **Step 4:** Access UCM_A's web UI, enable HA under *System Settings*→*HA* and reboot UCM A.
- **Step 5:** Establish the heartbeat connection between UCM A and UCM B. UCM A should now sync its configuration to UCM B.



HA100 CONFIGURATION SETTINGS ON THE UCM6510

Usage restriction:

- Both primary UCM6510 and secondary UCM6510 should be using the exact same firmware version.
- The connection between primary UCM6510 to HA100 and the connection between secondary UCM to HA100 must be correct. The heartbeat port must be connected correctly.
- It is recommended to use high performance switch or router to connect HA to.
- When powering up the HA100, the UCM6510 must be using static IP.
- When users need replace device, please reset the new devices before connecting to HA.

This section provides the configuration steps for the HA functionality on the UCM6510.

1. Power up UCM6510 (A), UCM6510(B) and HA100, after they boot up only the primary server UCM6510(A) can show the IP address.
2. Log in UCM6510(A) web UI and navigate to **System Settings** → **HA** → **HA Settings**
3. Enable heartbeat, configure heart beat port and heart beat timeout. Users can also configure hardware scan and failure switchover.

Note :

- **Hardware Scan (optional)**: select the hardware ports that to be detected for failure. Only the configured ports can be allowed to select here.
- **Failure Switchover (optional)**: select the hardware ports to switch after failure is detected. Only the selected ports in “Hardware Scan” are available here.

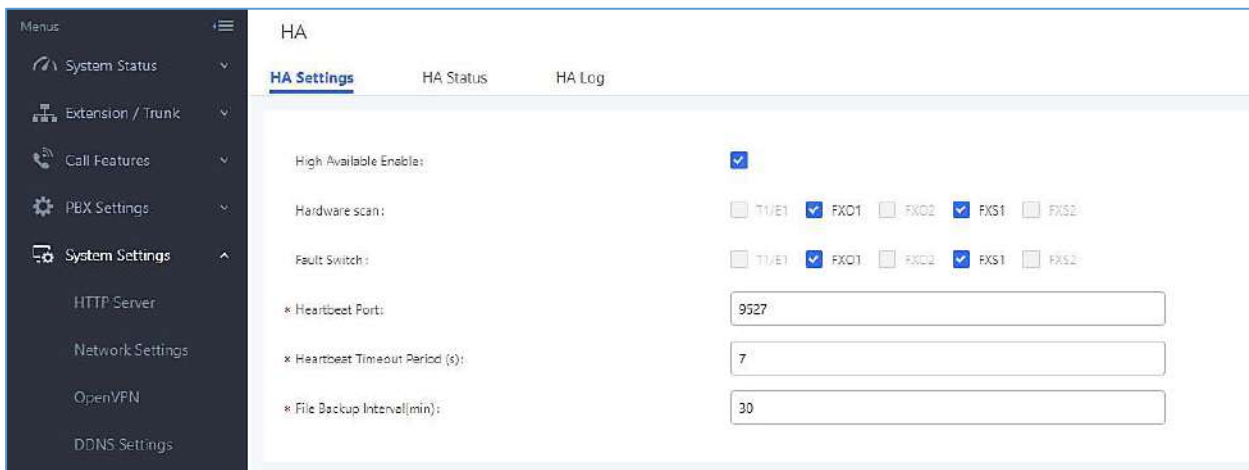


Figure 9: HA Settings on the UCM6510

4. After the configuration, save and apply the change. The configuration will be sent to UCM6510(B) via heartbeat port and the two UCMS will reboot together.

The HA function has now started, if users need replace devices, it is recommended to reset the new devices first then connect into the setup.

HA100 FUNCTIONALITY

HA100 separates the external ports into the corresponding internal ports (A and B). Only one UCM6510 device is connected at any given time.

When the 2 UCM6510s connect to HA100 via port A and port B, the primary UCM6510 will use the external ports on HA100 for data transmission. The HA100's RS485 port receives signaling from the UCM6510s to switch between Port A and Port B.

If the internal port A on HA100 is connected successfully to the corresponding port on primary UCM6510, the LED indicator for port A on HA100 will be solid green. The primary UCM6510 relies on HA100's external ports for connections. In this case, the LED indicator for Port B on HA100 will not light up, and the backup UCM will not provide service.

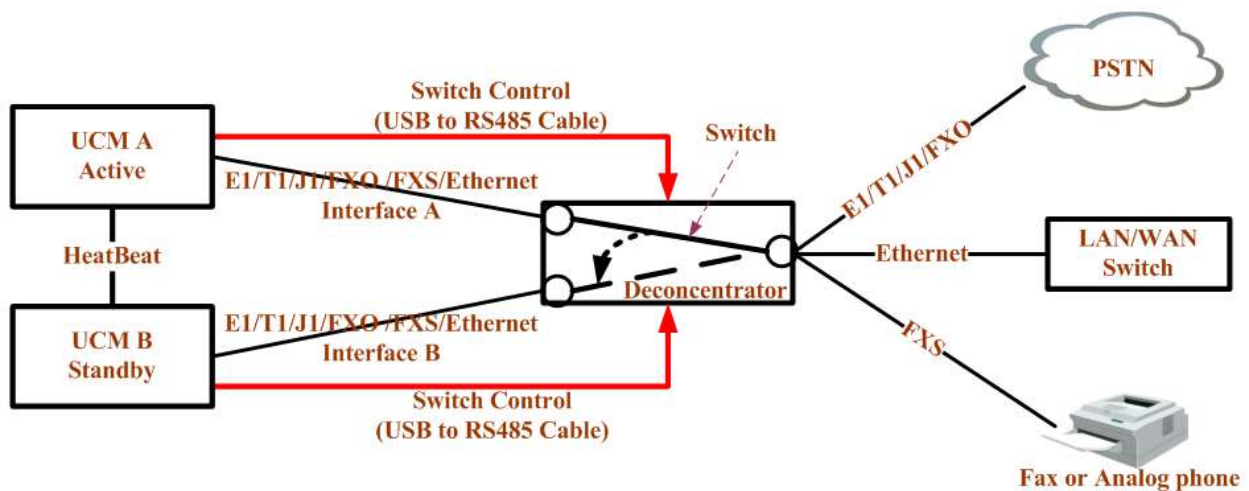


Figure 10: HA100 Functionality

For more details about UCM6510, please refer to online User Manual:

http://www.grandstream.com/sites/default/files/Resources/ucm6510_usermanual.pdf

UCM6510 Failure Management

If the primary server (UCM6510 A) detects issues within itself, it will signal the HA100 via USB-to-RS485 cable to switch connection from Port A to Port B. The backup server (UCM6510 B) will then be successfully connected and resume service. If the primary server is suddenly down for any reason, the HA100 will automatically switch the connection from Port A to Port B, allowing the backup server (UCM6510) to resume services and minimizing the impact of the interruption.

HA100 Failure Management

The failure of HA100 will not cause the whole system to go down automatically.

The system will only go down if UCM master **and** UCM slave fail **or** UCM master **and** HA100 fail. For example, in a typical installation, UCM A is the master and UCM B is the slave. When HA100 goes down, it will not impact UCM A's operation. And UCM A will detect that the HA100 is down and will send out alarm notifications via email. In this scenario, the whole network environment will be down if UCM A's connections are lost. The HA100 setup should be reestablished before this happens.

Important Notes:

- When primary-secondary switchover happens, active calls will be cut off and cannot be recovered.
- Switchover will occur when both WAN and LAN connections are lost.
- When hardware scan and failure switchover are selected, the UCM will scan the selected interfaces. If failures are detected, the HA100 will perform primary-secondary switchover. For example, when hardware scan and failure switchover are selected for FXO, and the FXO cable is disconnected, it will trigger a switchover.
- For FXS port failure scan, the UCM will perform switchover only when there is an FXS chip hardware error and not when an FXS cable is disconnected.
- In a scenario where there is a persisting issue that triggers constant switchover, no switchovers will occur beyond the second one.
- Failure detection will detect only hardware failures.
- Data in external storage devices will not sync.
- If a switchover occurs, and UCM B assumes the Master role, UCM B will remain as Master until another switchover occurs.
- When upgrading UCM firmware, both UCM A and UCM B will be upgraded in the process. Both devices will reboot upon successful upgrade.



EXPERIENCING HA100

Please visit our website: <http://www.grandstream.com> to receive the most up-to-date firmware releases, additional features, FAQs, documentation and information on new products.

We encourage you to browse our [product related documentation](#), [FAQs](#) and [User and Developer Forum](#) for answers to your general questions. If you have purchased our products through a Grandstream Certified Partner or Reseller, please contact them directly for immediate support.

Our technical support staff is trained and ready to answer all of your questions. Contact a technical support member or [submit a ticket online](#) to receive in-depth support.

Thank you again for using Grandstream HA100 module. We guarantee that it will bring reliability to your business telephony infrastructure.

